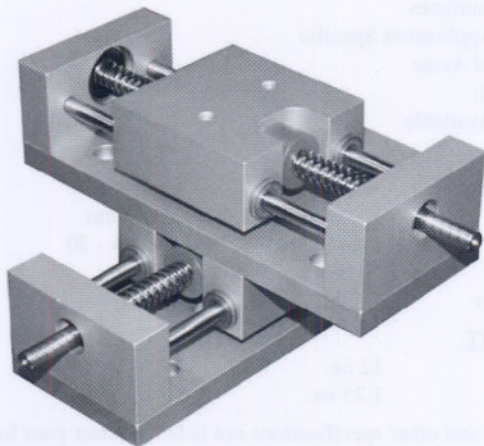


MACRON D6RT



FEATURES

- Macron Screw Tables can be furnished to your specifications
- Available in any travel up to 6 inches (160 mm)
- Fast turnaround on all standard units
- Corrosion resistant surfaces
- Load Capacities – Application Specific
- Screw Type – Rolled Acme

MOTOR MOUNTING (See Page 38)

- To Customers Specifications

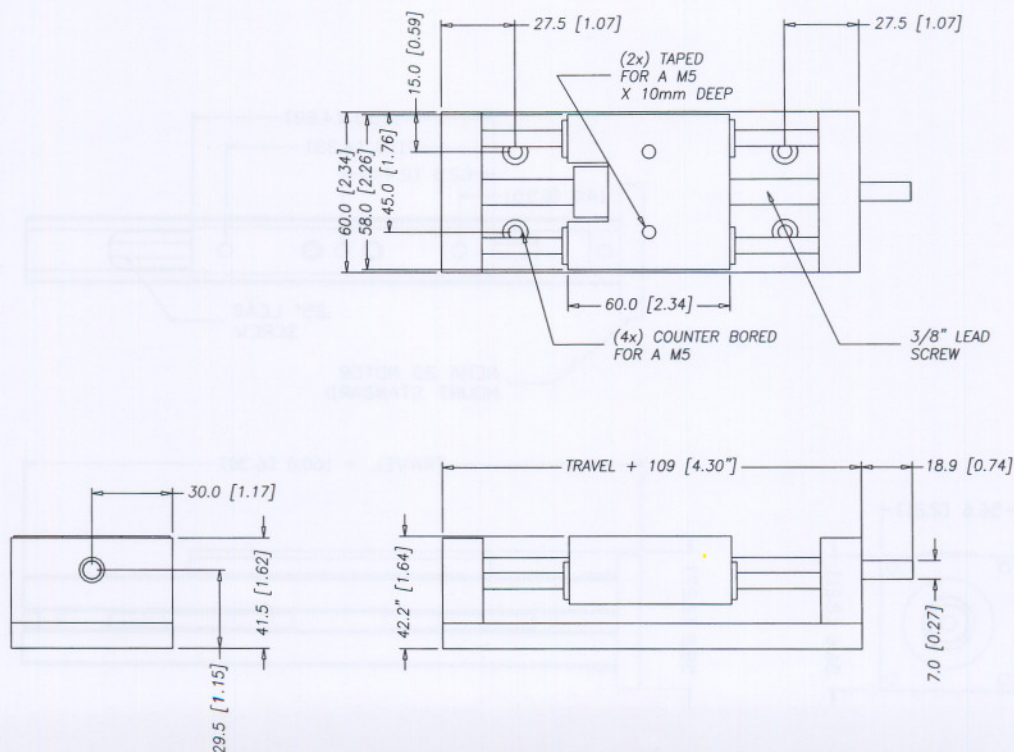
SPECIFICATIONS

Repeatability	+/- 0.004 in.
Linear Accuracy	+/- 0.005 in. per 6 in. Maximum
Screw Options	3/8 – 1; 3/8 – 2; 3/8 – 4; 3/8 – 6; 3/8 – 8; 3/8 – 10; 3/8 – 12 & 3/8 – 16
Input Shaft	7 mm
Maximum Speed	10 in. / sec

SHIPPING WEIGHT

First Inch of Travel	1.75 lbs.
Additional per inch	1 oz.

For Multi-Axis Units and other specifications not listed, contact your local Distributor or Macron for Engineering Design assistance and quotations



Sold & Serviced By:

ELECTROMATE

Toll Free Phone (877) SERV098
Toll Free Fax (877) SERV099
www.electromate.com
sales@electromate.com